



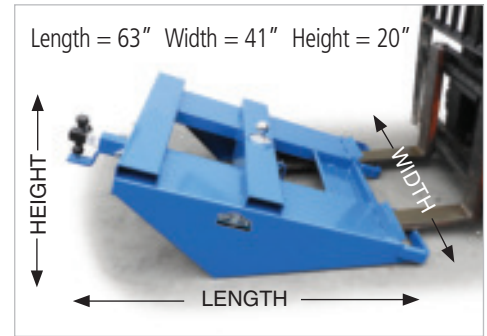
Quick-Ship Items

Effective 6-1-21

*Prices subject to change without notice.

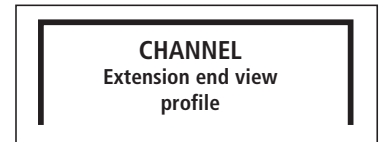
Trailer Mover™

Item #		Wt./Lbs.	Price
STMQS	Trailer Mover w/one gooseneck ball and tri-ball hitch	237	\$897
DTMQS	Deluxe Trailer Mover w/one gooseneck ball and tri-ball hitch	273	\$1137
EBM	Extra 2-5/16 gooseneck ball mounted on hitch		\$47
OLH	Optional Lifting Hook		\$37
TRIB	Tri-Ball Hitch		\$47



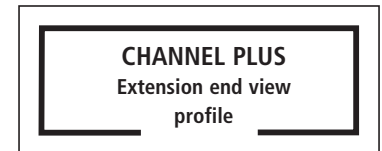
High strength (channel) Fork Extensions

Item #	Fits Fork Width	Inside Height	Inside Width	Length	Wt./Lbs. Pair	Price
FEC560 QS	5"	2"	5 1/2"	60"	64	\$277



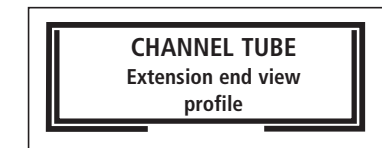
High Strength (Channel Plus™) Fork Extensions

Item #	Fits Fork Width	Inside Height	Inside Width	Length	Wt./Lbs. Pair	Price
FEP572 QS	5"	2"	5 1/2"	72"	91	\$457
FEP584 QS	5"	2"	5 1/2"	84"	105	\$527
FEP596 QS	5"	2"	5 1/2"	96"	120	\$597



Extra High Strength (Channel Tube™) Fork Extensions.

Item #	Fits Fork Width	Inside Height	Inside Width	Length	Wt./Lbs. Pair	Price
FET684 QS	6"	2 1/2"	6 1/2"	84"	202	\$957
FET696 QS	6"	2 1/2"	6 1/2"	96"	309	\$1467



Forks

Item #	Fork Thickness	Fork Width	Blade Length	Class	Capacity (1 Pr.) lbs. at 24"	Wt./Lbs. Pair	Retail Price Pair
Standard Class 2 Forks							
S2150442 QS	1.50	4	42	2	5500	206	\$373
S2150448 QS	1.50	4	48	2	5500	228	\$397
S2150548 QS	1.50	5	48	2	5500	280	\$515
Standard Class 3 Forks							
S3175542 QS	1.75	5	42	3	7900	308	\$547
S3175548 QS	1.75	5	48	3	7900	336	\$561
S3200548 QS	2.00	5	48	3	9900	374	\$597
Lumber Forks (Full Taper and Polish)							
L2150448 QS	1.50	4	48	2	5500	194	\$651
L3150648 QS	1.50	6	48	3	7900	284	\$1047
L3150748 QS	1.50	7	48	3	9000	376	\$1288

